



Universal Key **ZTG-A-100** Wheel Lug Nut Security Driver

1 tool for all makes and models:

TOYOTA, NISSAN, FORD, CHEVROLET, MERCEDES, AUDI,
HONDA, CHRYSLER, LEXUS ETC...



PATENT
PENDING



UNIVERSAL KEY for Security Nuts

Damaged Nut Removal Sockets

3/8" Drive sockets for removing damaged or rounded nuts and bolts. Also works with non-damaged as well.



Available in:

Metric: (Set ZTG-A-200)

8,10,11,12,13,14,16,17,19MM

SAE: (Set ZTG-A-201)

5/16, 3/8, 7/16, 1/2, 9/16, 5/8,

11/16, 3/4 INCH

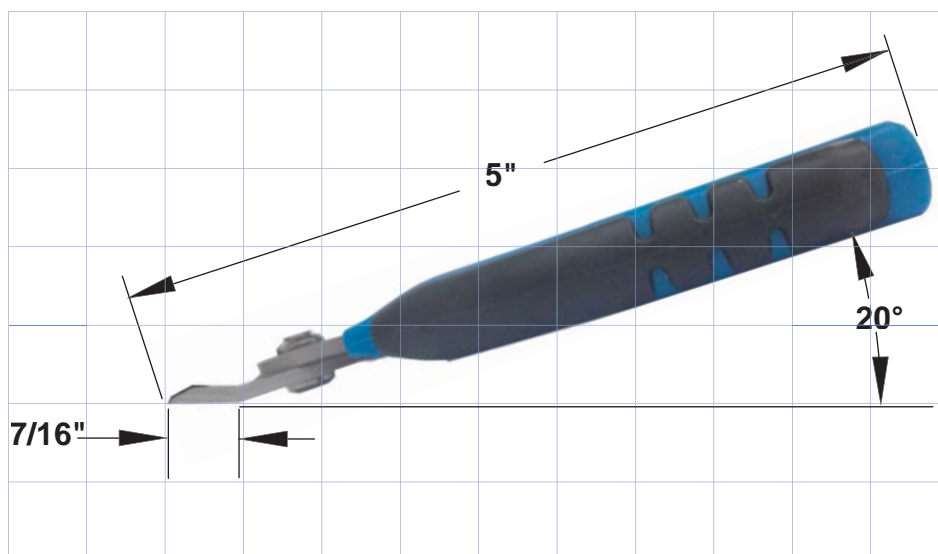


ZCT Shear Cutter Pliers

ZSP-100

Features:

- Stainless steel (nonmagnetic)
- Corrosion resistant
- 20° Offset tip
- Beveled edge for close cutting
- Handle type static dissipative
- Spring Return



ZT110
Quick Change Chuck

Designed to fit any standard drill motor with 3/8"-24 threaded chuck spindle. To remove or install tools with quick change shanks, simply slide front sleeve away from drill motor to disengage locking mechanism.



ZT110

