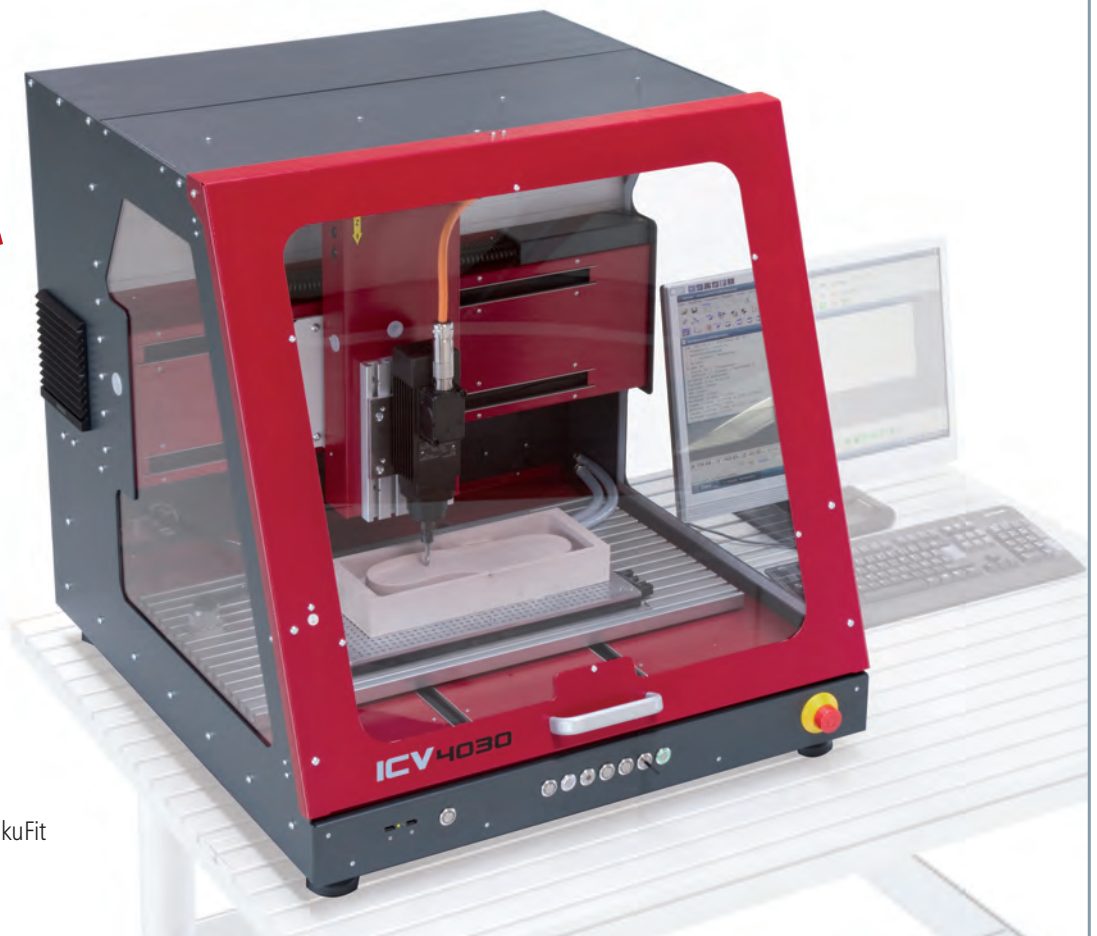


CNC machine

with servo motor drive

ICV 4030

Control unit
... with integrated
control computer.

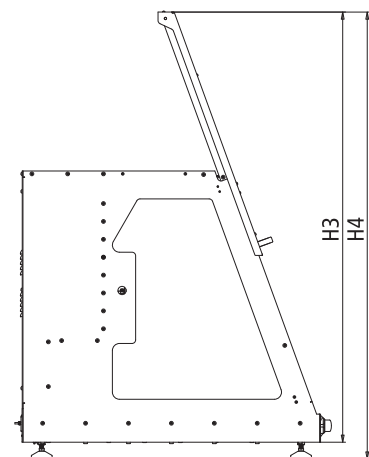
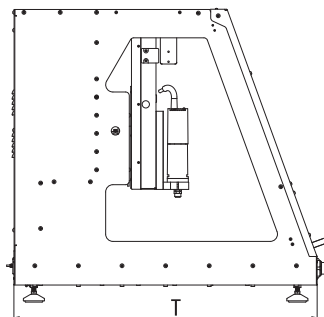
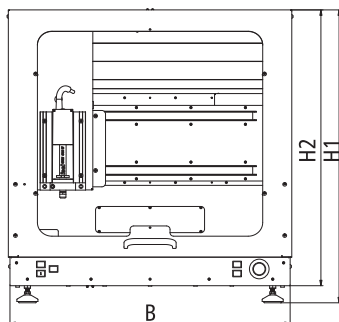


ICV 4030-F
with optional
Vacuum clamping system VakuFit

Dimensioned drawings

	ICV 4030
Width W [mm]	780
Depth D [mm]	835
Height H1 [mm]	806
Height H2 [mm]	765
Height H3 [mm]	1203
Height H4 [mm]	1250

machine bench
W 1500 D1000 H 750
Part no. 248550 0013



CNC machine

with servo motor drive

ICV 4030

General note

The ICV 4030 has been developed from the proven, 3D-enabled CNC machine CPV 4030, which is delivered ready for connection to the mains.

The sliding hood, opening upwards, can be operated conveniently from a sitting position. The completely bolted chassis produces higher precision when building the machine and is easier to service. In addition, it was possible to optimise the resonance and vibration behaviour and therefore lower noise build-up has been achieved. Prerequisites for working with the ICV 4030 are simply basic knowledge of CNC systems, general IT literacy and basic knowledge of graphics programs!

Technical specification

	ICV 4030
Processing areas X/Y/Z [mm]	395 x 300 x 95
Bench clamping area W × D [mm]	600 x 375
Gap [mm]	150
Dimensions WxTxH [mm]	780 x 835 x 806
Guides	Linear units with precision steel shafts and recirculating ball slots, adjustable for no play
Processing speed X/Y/Z [mm/s]	max. 200
Repeat accuracy [mm]	± 0.02
Drive motors	Servo motors
Drive elements X/Y/Z	Recirculating ball transmission 16 × 10/16 × 10/16 × 4 mm adjustable for no play
Controller	iMC CAN controller with 3 drive controllers, integrated control computer, I/O module, safety circuit and rest state monitoring Power supply unit 48V/1000 W
Operation	Function keys and emergency shutdown
Software	WinRemote (optional: ProNC, isy 2.5 PLUS)
Weight [kg]	approx. 120
Part no.	280230 4400

<p>isel CNC milling machine ICV 4030-F with spindle motor iSA 500, IMD10 controller including PC</p> <ul style="list-style-type: none"> Servo motor driven Spindle motor 500 W, 30,000 rpm Collets 3 and 6 mm for iSA 500 Length measuring probe for measuring tool lengths Four-axis controller incl. PC with Windows operating system Drive elements: X/Y axes 16x10 mm, Z axis 16x4 mm Set of mechanical damping elements LED workspace illumination WinRemote output programme Electrical supply data: 230 V / 16 A Chassis colours: RAL 7016 and RAL 3003 	<p>Part no. 280230 4440</p>
<p>isel CNC Basis machine ICV 4030-B with IMD10 controller including PC</p> <ul style="list-style-type: none"> Servo motor driven Four-axis controller incl. PC with Windows operating system Drive elements: X/Y axes 16x10 mm, Z axis 16x4 mm LED workspace illumination WinRemote output programme Electrical supply data: 230 V / 16 A Chassis colours: RAL 7016 and RAL 3003 	<p>Part no. 280230 4400</p>

Note:

Vacuum clamping plates can be clamped in sizes A5 - A3. (see Page 5-34)