



Kwik-Lok Temporary Fasteners



ZEPHYR Manufacturing Co., Inc

201 Hindry Avenue

Inglewood, CA 90301-1519

Tel. 310-410-4907 ■ Email: sales@zephyrtool.com ■ www.zephyrtool.com



**PLIER-OPERATED
 TEMPORARY FASTENER**

A diversity of plier actuated clamps for precise holding of materials

K The K-type sheet holder clamp is the standard KWIK-LOK clamp. It is pliers-actuated, spring loaded and steel bodied; it is effective for most space requirements.



KK The KK-type sheet holder clamp is designed for those space requirements which prohibit the use of the standard K-type clamp. The KK-type is a miniature clamp, with a shorter overall body and special effectiveness for more confined areas.



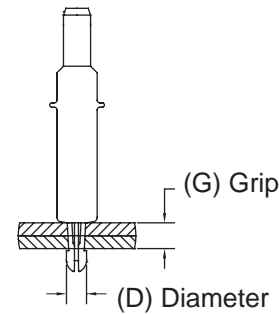
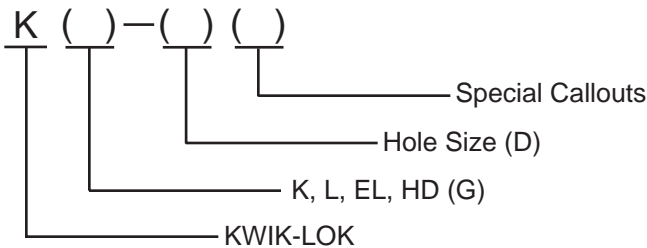
K/KEL The KL and KEL-type clamps are standard K-type clamps with an extended grip range.



KHD The KHD clamp is designed specifically for heavier applications requiring an extended grip range not available in the standard K through KL series of sheet metal holders.

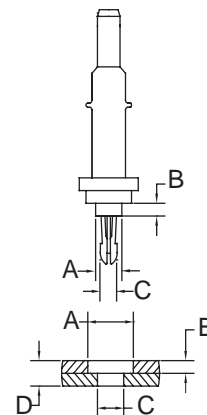
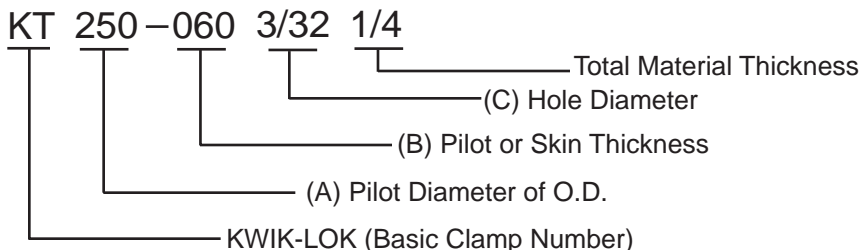


HOW TO SELECT A PART NUMBER



KT The KT is a variation of the standard K series. It has a pilot with which to index into holes through templates or outer material thicknesses.

HOW TO DETERMINE A TEMPLATE CLAMP PART NUMBER (K-KL SERIES)





ORDERING INFORMATION PLIER OPERATED FASTENERS

PART NO.	CROSS REFERENCE EQUIVALENT	COLOR CODE	G (grip)	D (diameter)	DRILL SIZE
K-1/16	M-1/16	black	0 - 1/4"	1/16"	1/16"
K-3/32	M-3/32	zinc		3/32"	#40
K-1/8	M-1/8	copper		1/8"	#30
K-5/32	M-5/32	black		5/32"	#20
K-3/16	M-3/16	brass		3/16"	#10
K-7/32	M-7/32	zinc		7/32"	7/32"
K-1/4	M-1/4	copper		1/4"	1/4"
KK-3/32	MM-3/32	zinc	0 - 1/4	3/32"	#40
KK-1/8	MM-1/8	copper		1/8"	#30
KK-5/32	MM-5/32	black		5/32"	#20
KK-3/16	MM-3/16	brass		3/16"	#10
KL-3/32	ML-3/32	zinc	1/4"-1/2"	3/32"	#40
KL-1/8	ML-1/8	copper		1/8"	#30
KL-5/32	ML-5/32	black		5/32"	#20
KL-3/16	ML-3/16	brass		3/16"	#10
KEL-3/32	MEL-3/32	zinc	1/2" - 3/4"	3/32"	#40
KEL-1/8	MEL-1/8	copper		1/8"	#30
KEL-5/32	MEL-5/32	black		5/32"	#20
KEL-3/16	MEL-3/16	brass		3/16"	#10
KHD-3/32	MHD-3/32	zinc	0 - 1/2"	3/32"	#40
KHD-1/8	MHD-1/8	copper		1/8"	#30
KHD-5/32	MHD-5/32	black		5/32"	#20
KHD-3/16	MHD-3/16	brass		3/16"	#10
KHD-7/32	MHD-7/32	zinc		7/32"	7/32"
KHD-1/4	MHD-1/4	copper		1/4"	1/4"

Special Callouts AL = Aluminum Body BO = Black Oxide

PLIERS

Zephyr Pliers

Part No. K-200

Specially designed for installing the K, KK, KT, KL, KEL, KHD, clamps and side grips (pg 6). The KWIK-LOK Pliers are constructed of forged steel, with new ergonomic "soft-grip" handles, thus resisting wear and abuse. KWIK-LOK Pliers are compatible with all spring-loaded-types of sheet metal clamps.





**POWER-OPERATED & MANUAL
 TEMPORARY FASTENERS**

FREE WHEELING

POWER - HEX NUT TYPE

- KHNS**
- KHN**
- KHNL**
- KHNK**



For high production applications that require a consistent, uniform clamping force. Pneumatic driven with the Power Nut Runner KNR2000 (pg 5), this time-saving fastener is well suited for both metallic and composite materials.

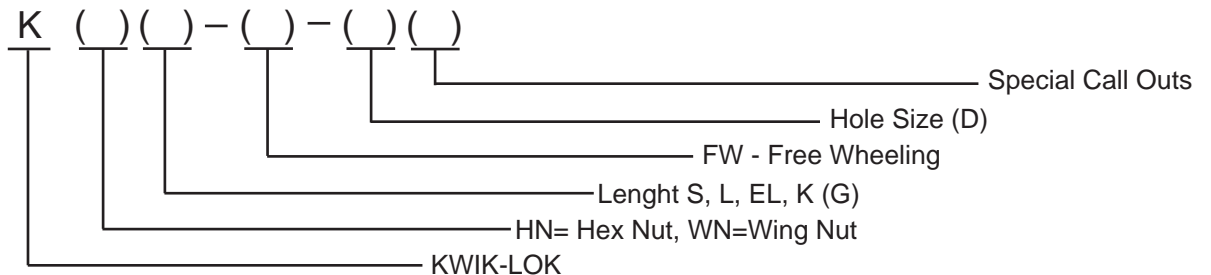
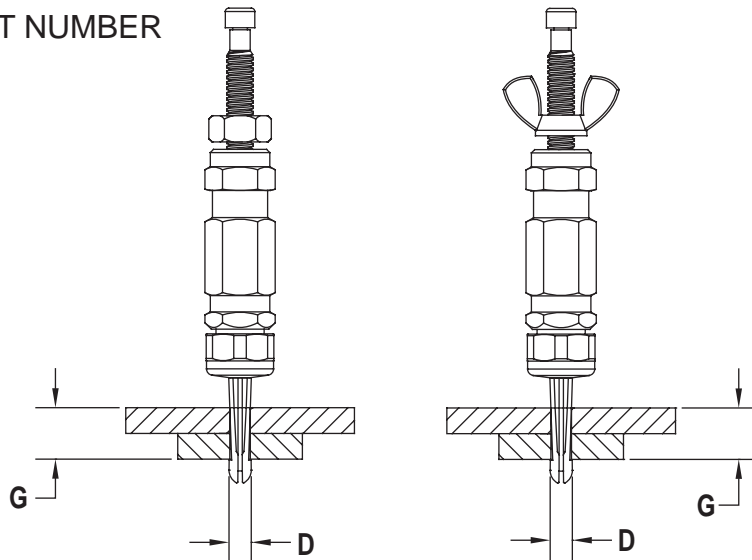
MANUAL - WING NUT TYPE

- KWNS**
- KWN**
- KWNL**
- KWNLK**



For low production rates and high-clamping force applications. Because this fastener is manually controlled, the clamping force can range from zero to 300 lbs. Well-suited for all types of metallic and composite materials.

HOW TO SELECT PART NUMBER





**POWER-OPERATED
 TEMPORARY FASTENERS**

ORDERING INFORMATION

HEX NUT PART NO.	CROSS REFERENCE EQUIVALENT	COLOR CODE	G (grip)	D (diameter)	DRILL SIZE
KHNS-FW-3/32	HNXS-SF-3/32	silver	0-5/16"	3/32"	#40
KHNS-FW-1/8	HNXS-SF-1/8	copper		1/8"	#30
KHNS-FW-5/32	HNXS-SF-5/32	black		5/32"	#20
KHNS-FW-3/16	HNXS-SF-3/16	brass		3/16"	#10
KHNS-FW-1/4	HNXS-SH/4	copper		1/4"	1/4"
KHN-FW-3/32	HNX-SF-3/32	silver	0- 1/2"	3/32"	#40
KHN-FW-1/8	HNX-SF-1/8	copper		1/8"	#30
KHN-FW-5/32	HNX-SF-5/32	black		5/32"	#20
KHN-FW-3/16	HNX-SF-3/16	brass		3/16"	#10
KHN-FW-7/32	HNX-SF-7/32	silver		7/32"	7/32"
KHN-FW-1/4	HNX-SF-1/4	copper		1/4"	1/4"
KHN-FW-5/16	HNX-SF-5/16	black		5/16"	5/16"
KHNL-FW-3/32	HNXL-SF-3/32	silver	0-1"	3/32"	#40
KHNL-FW-1/8	HNXL-SF-1/8	copper		1/8"	#30
KHNL-FW-5/32	HNXL-SF-5/32	black		5/32"	#20
KHNL-FW-3/16	HNXL-SF-3/16	brass		3/16"	#10
KHNL-FW-7/32	HNXL-SF-7/32	silver		7/32"	7/32"
KHNL-FW-1/4	HNXL-SF-1/4	copper		1/4"	1/4"
KHNL-FW-5/16	HNXL-SF-5/16	black		5/16"	5/16"
KHNEL-FW-3/32	HNXEL-SF-3/32	silver	1/2" -1 1/2"	3/32"	#40
KHNEL-FW-1/8	HNXEL-SF-1/8	copper		1/8"	#30
KHNEL-FW-5/32	HNXEL-SF-5/32	black		5/32"	#20
KHNEL-FW-3/16	HNXEL-SF-3/16	brass		3/16"	#10
KHNEL-FW-1/4	HNXEL-SF-1/4	copper		1/4"	1/4"
KHNEL-FW-5/16	HNXEL-SF-5/16	black		5/16"	5/16"
KHNK-FW-1/8	HNXK-SH-1/8	copper	1 1/2" - 2 1/2"	1/8"	#30
KHNK-FW-5/32	HNXK-SF-5/32	black		5/32"	#20
KHNK-FW-3/16	HNXK-SF-3/16	brass		3/16"	#10
KHNK-FW-1/4	HNXK-SH-1/4	copper		1/4"	1/4"
KHNK-FW-5/16	HNXK-SF-5/16	black		5/16"	5/16"

Special Callouts AL= Aluminum Body BO = Black Oxide AC = Aluminum Cap C = Plastic Cap



**MANUAL-OPERATED
 TEMPORARY FASTENERS**

ORDERING INFORMATION

WING NUT PART NO.	CROSS REFERENCE EQUIVALENT	COLOR CODE	G (grip)	D (diameter)	DRILL SIZE
KWNS-FW-3/32	WNXS-3/32	silver	0-5/16"	3/32"	#40
KWNS-FW-1/8	WNXS-1/8	copper		1/8"	#30
KWNS-FW-5/32	WNXS-5/32	black		5/32"	#20
KWNS-FW-3/16	WNXS-3/16	brass		3/16"	#10
KWNS-FW-1/4	WNXS-1/4	copper		1/4"	1/4"
KWN-FW-3/32	WNX-3/32	silver	0- 1/2"	3/32"	#40
KWN-FW-1/8	WNX-1/8	copper		1/8"	#30
KWN-FW-5/32	WNX-5/32	black		5/32"	#20
KWN-FW-3/16	WNX-3/16	brass		3/16"	#10
KWN-FW-7/32	WNX-7/32	silver		7/32"	7/32"
KWN-FW-1/4	WNX-1/4	copper		1/4"	1/4"
KWN-FW-5/16	WNX-5/16	black	5/16"	5/16"	
KWNL-FW-3/32	WNXL-3/32	silver	0-1"	3/32"	#40
KWNL-FW-1/8	WNXL-1/8	copper		1/8"	#30
KWNL-FW-5/32	WNXL-5/32	black		5/32"	#20
KWNL-FW-3/16	WNXL-3/16	brass		3/16"	#10
KWNL-FW-7/32	WNXL-7/32	silver		7/32"	7/32"
KWNL-FW-1/4	WNXL-1/4	copper		1/4"	1/4"
KWNL-FW-5/16	WNXL-5/16	black	5/16"	5/16"	
KWNEL-FW-3/32	WNXEL-3/32	silver	1/2" - 1 1/2"	3/32"	#40
KWNEL-FW-1/8	WNXEL-1/8	copper		1/8"	#30
KWNEL-FW-5/32	WNXEL-5/32	black		5/32"	#20
KWNEL-FW-3/16	WNXEL-3/16	brass		3/16"	#10
KWNEL-FW-1/4	WNXEL-1/4	copper		1/4"	1/4"
KWNEL-FW-5/16	WNXEL-5/16	black	5/16"	5/16"	
KWNK-FW-1/8	WNXK-1/8	copper	1 1/2" - 2 1/2"	1/8"	#30
KWNK-FW-5/32	WNXK-5/32	black		5/32"	#20
KWNK-FW-3/16	WNXK-3/16	brass		3/16"	#10
KWNK-FW-1/4	WNXK-1/4	copper		1/4"	1/4"
KWNK-FW-5/16	WNXK-5/16	black		5/16"	5/16"

Special Callouts AL= Aluminum Body BO = Black Oxide AC = Aluminum Cap C = Plastic Cap

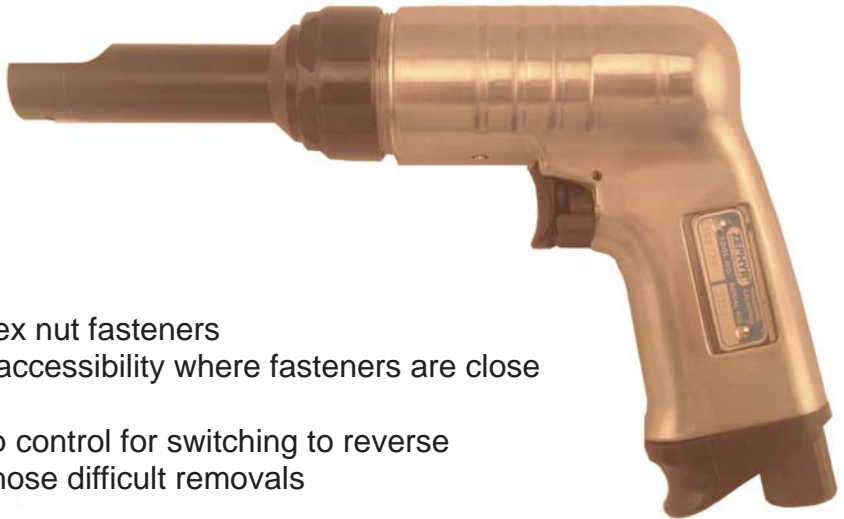


**POWER-NUT RUNNER
 AND DRILL STOPS**

POWER NUT RUNNER

KNR2000

A simple to operate, rugged power tool for installation and removal of all power operated fasteners. Quiet precise and made in the U.S.A.



- Heavy duty, yet light weight
- Simple to insert and remove hex nut fasteners
- Small nose piece allows easy accessibility where fasteners are close together
- Reversible motor with finger tip control for switching to reverse
- Greater torque in reverse for those difficult removals
- Air pressure 85 - 100 PSI
- Torque 35 in. lbs. max.
- Clamping force up to 360 lbs.
- Available with optional adjustable internal torque control

**KDS
 DRILL STOP**

KWIK-LOK manufacturers a unique multipurpose tool designed to reduce drill bit breakage. These drill stops have a coiled spring to cushion the drill break-through.

Rounded smooth face eliminates marking and prevents the chuck jaws from marring the surface.



DRILL STOP ORDERING INFORMATION

PART NO	EQUIVALENT	COLOR CODE	DRILL SIZE
KDS 50	DS 50	black	#50
KDS 40	DS 40	zinc	#40
KDS 30	DS 30	copper	#30
KDS 28	DS 28	zinc	#28
KDS 21	DS 21	black	#21
KDS 20	DS 20	zinc	#20
KDS 12	DS 12	brass	#10
KDS 10	DS 10	brass	#10
KDS 1/4	DS 1/	copper	1/4"
KDS 5/16	DS 5/16	copper	5/16"

NOTE: Other sizes available on request.





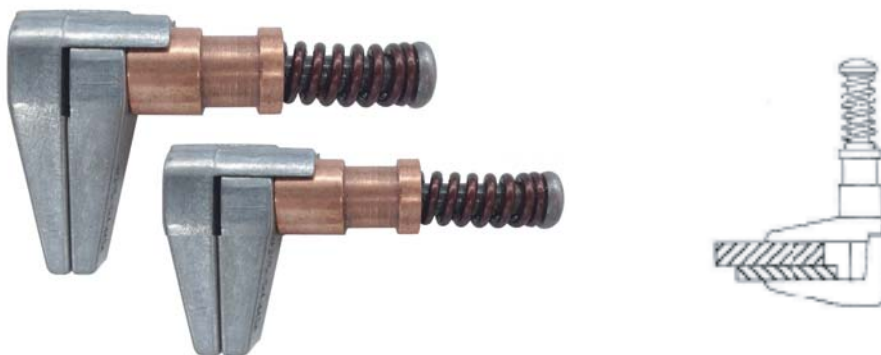
**SIDE GRIP
 & CLAMP**

**KSG
 SIDE GRIPS**

Pliers operated edge klamps hold materials together where no holes are provided. Ideal for bonding, gluing and sealants.

SIDE GRIP ORDERING INFORMATION

PART NO.	EQUIVALENT	COLOR CODE	MATERIAL THICKNESS
KSG 1/2" x 1/2"	SG 1/2" x 1/2"	Copper	0 - 1/2"
KSG 3/4" x 1/2"	SG 3/4" x 1/2"	Brass	0 - 3/4"
KSG 1/2" x 1"	SG 1/2" x 1"	Copper	0 - 1/2"
KSG 3/4" x 1"	SG 3/4" x 1"	Brass	0 - 3/4"



HANDI-KLAMPS

Zephyr Handi-Klamps are a versatile tool for clamping a wide range of surfaces, shapes, thicknesses and materials. Handi-Klamps are ideal for holding the

PART NO.	EQUIVALENT	CLAMPING CAPACITY	JAW DEPTH
K-1	W-1	0 - 5/16"	1"
K-2	W-2	0 - 5/16"	1 - 1/2"



Zephyr Kwik-Lok Temporary Fasteners kits



ZKLS-1



ZKLS-2



ZKLS-3

Zephyr offers a selection of Kwik-Lok temporary fasteners in convenient kit form. Each kit consists of Zephyr temporary fasteners, K-200 pliers, and a carrying case.

KIT CONTENTS

ZKLS-1: Includes pliers, two ½" x 1" edge grip clamps, one each of hole clamps in sizes 3/32", 1/8", 3/16", ¼", plastic carrying case.

ZKLS-2: Includes pliers, ten each of hole clamps in sizes 3/32", 1/8", 5/32", 3/16", ¼", plastic carrying case.

ZKLS-3: Includes pliers, six each of side clamps in sizes ½" x 1", and ¾" x 1", plastic carrying case.



K-200
Kwik-Lok Pliers



Zephyr's new K-200 is the only "temporary fastener" pliers hot forged from high carbon steel and heat-treated to exacting specifications. This new process offers increased life, and significantly reduces breakage. The K-200 is designed for minimum hand-reach, with new ergonomic "soft-grip" handles. The K-200 is compatible with all Cleco-style spring-loaded temporary fasteners.

Order Part Number: K-200



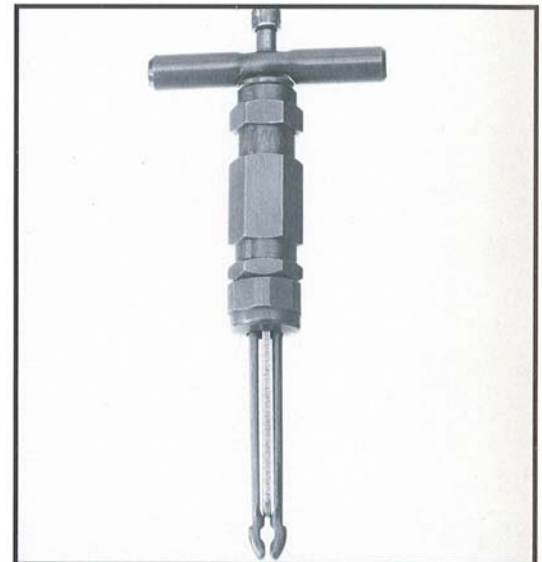
KBN Bar Nut

Manually Operated Temporary Fastener

Part No.	Cross Ref. Equivalent	Color Code	G(grip)	D(diel.)	Drill Size
KBNS-FW-3/32	BNXS- 3/32	silver	0-5/16"	3/32"	#40
KBNS-FW-1/8	BNXS- 1/8	copper		1/8"	#30
KBNS-FW- 5/32	BNXS- 5/32	black		5/32"	#20
KBNS-FW- 3/16	BNXS- 3/16	brass		3/16"	#10
KBNS-FW-1/4	BNXS- 1/4	copper		1/4"	1/4"
KBN-FW- 3/32	BNX- 3/32	silver	0-1/2"	3/32"	#40
KBN-FW- 1/8	BNX- 1/8	copper		1/8"	#30
KBN-FW- 5/32	BNX- 5/32	black		5/32"	#20
KBN-FW- 3/16	BNX-3/16	brass		3/16"	#10
KBN-FW- 7/32	BNX- 7/32	silver		7/32"	7/32"
KBN-FW- 1/4	BNX- 1/4	copper		1/4"	1/4"
KBN-FW- 5/16	BNX- 5/16	black	5/16"	5/16"	
KBNL-FW- 3/32	BNXL- 3/32	silver	0-1"	3/32"	#40
KBNL-FW- 1/8	BNXL- 1/8	copper		1/8"	#30
KBNL-FW- 5/32	BNXL- 5/32	black		5/32"	#20
KBNL-FW- 3/16	BNXL- 3/16	brass		3/16"	#10
KBNL-FW- 7/32	BNXL- 7/32	silver		7/32"	7/32"
KBNL-FW- 1/4	BNXL- 1/4	copper		1/4"	1/4"
KBNL-FW- 5/16	BNXL- 5/16	black	5/16"	5/16"	
KBNEL-FW- 3/32	BNXEL- 3132	silver	1/2- 1 1/2"	3/32"	#40
KBNEL-FW- 1/8	BNXEL- 1/8	copper		1/8"	#30
KBNEL-FW- 5/32	BNXEL- 5/32	black		5/32"	#20
KBNEL-FW- 3/16	BNXEL- 3/16	brass		3/16"	#10
KBNEL-FW- 1/4	BNXEL- 1/4	copper		1/4"	1/4"
KBNEL-FW- 5/16	BNXEL- 5/16	black	5/16"	5/16"	
KBNK-FW-1/8	BNXK- 1/8	copper	1 1/2-21/2"	1/8"	#30
KBNK-FVI/-5/32	BNXK- 5/32	black		5/32"	#20
KBNK-FW-3/16	BNXK- 3/16	brass		3/16"	#10
KBNK-FW-1/4	BNXK- 1/4	copper		1/4"	1/4"
KBNK-FW-5/16	BNXK- 5/16	black		5/16"	5/16"

This temporary fastener is designed for low production and high clamping force applications.

The bar nut design enables the operator to apply the greatest amount of clamping force in a manual operation.



Special Callouts AL= Aluminum Body BO =Black Oxide AC =Aluminum Cap C=Plastic Cap



Kwik-Lok
Temporary Fastener

PROTECTIVE CAPS FOR
Pliers Operated Fasteners

K, KL, KEL

PART No.	NOMINAL SIZE	COLOR
KN23-3/32F	3/32	GRAY
KN23-1/8F	1/8	ORANGE
KN23-5/32F	5/32	BLACK
KN23-3/16F	3/16	BLUE
KN24-7/32F	7/32	GREEN
KN24-1/4F	1/4	YELLOW

KHD, KK

PART No.	NOMINAL SIZE	COLOR
KN24-3/32F	3/32	GRAY
KN24-1/8F	1/8	ORANGE
KN24-5/32F	5/32	BLACK
KN24-3/16F	3/16	BLUE
KN24-7/32F	7/32	GREEN
KN24-1/4F	1/4	YELLOW

PROTECTIVE CAPS FOR
Power Operated & Manual Temporary
Fasteners

POWER-HEX NUT TYPE
KHNS, KHN, KHNL, KHNL, KHNK

MANUAL-HEX NUT TYPE
KWNS, KWN KWNL, KWNL, KWNK

PART No.	NOMINAL SIZE	COLOR
KN25-4F	3/32	GRAY
KN25-2F	1/8	ORANGE
KN25-5F	5/32	BLACK
KN25-1F	3/16	BLUE
KN25-7F	7/32	GREEN
KN25-3F	1/4	YELLOW
KN25-6F	5/16	RED

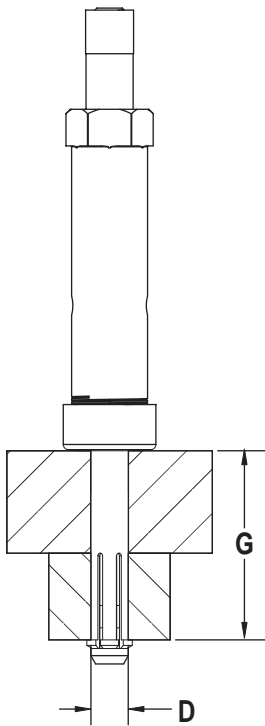
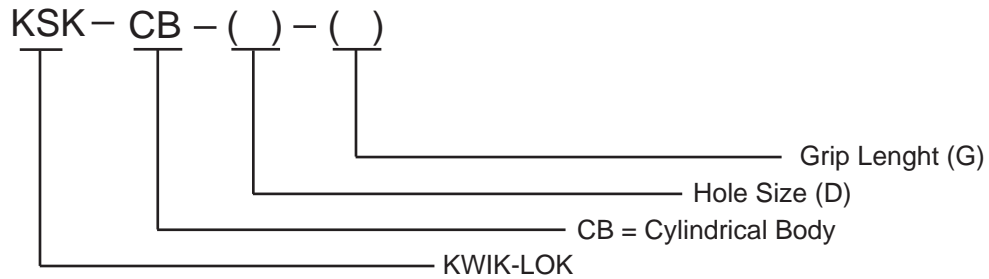


Super Kwik-Lok
TEMPORARY FASTENERS

ORDERING INFORMATION



HOW TO SELECT PART NUMBER



Kwik-Lok Part No.	Cap Color Code	D (diameter)	G (grip)
KSK-CB-0.250-1	copper	0.250	1
KSK-CB-0.312-1	black	0.312	
KSK-CB-0.375-1	yellow	0.375	
KSK-CB-0.437-1	aluminum	0.437	
KSK-CB-0.500-1	blue	0.500	
KSK-CB-0.250-15	copper	0.250	1.5
KSK-CB-0.312-15	black	0.312	
KSK-CB-0.375-15	yellow	0.375	
KSK-CB-0.437-15	aluminum	0.437	
KSK-CB-0.500-15	blue	0.500	
KSK-CB-0.250-25	copper	0.250	2.5
KSK-CB-0.312-25	black	0.312	
KSK-CB-0.375-25	yellow	0.375	
KSK-CB-0.437-25	aluminum	0.437	
KSK-CB-0.500-25	blue	0.500	



Super Kwik-Lok

TEMPORARY FASTENER INSTALLATION AND REMOVAL TOOL

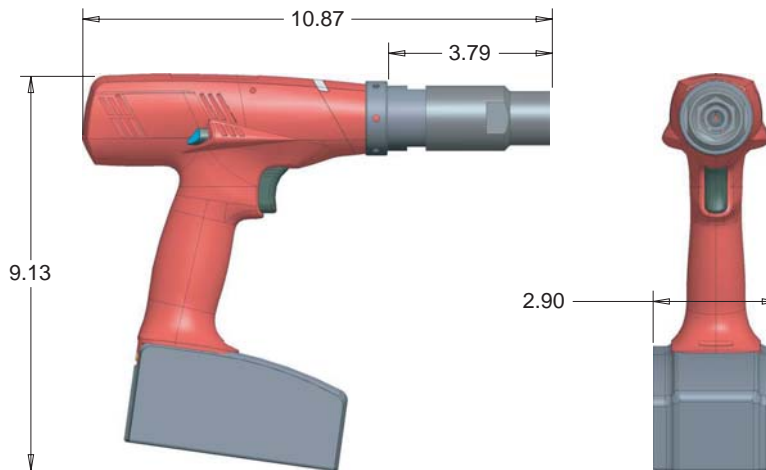
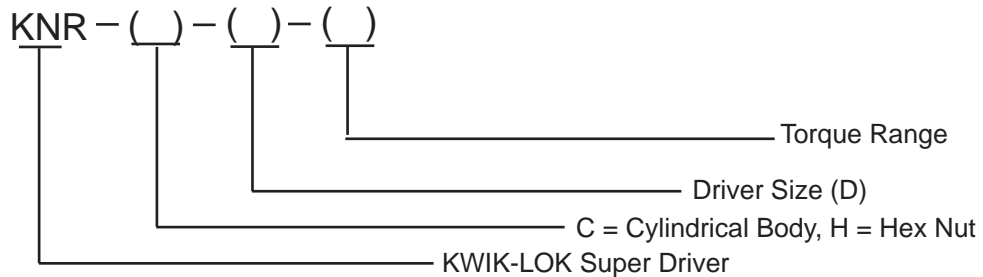
A simple to operate, yet rugged power tool for installation and removal of all power operated fasteners.

- Heavy duty
- Torque 30-90 in. lbs. max.
- Simple to insert and remove cylindrical or hex nut fasteners
- Small nose piece allows easy accessibility where fasteners are close together
- Reversible motor with finger tip control for switching to reverse
- Greater torque in reverse for those difficult removals
- Available with optional adjustable internal torque control



ORDERING INFORMATION

HOW TO SELECT PART NUMBER

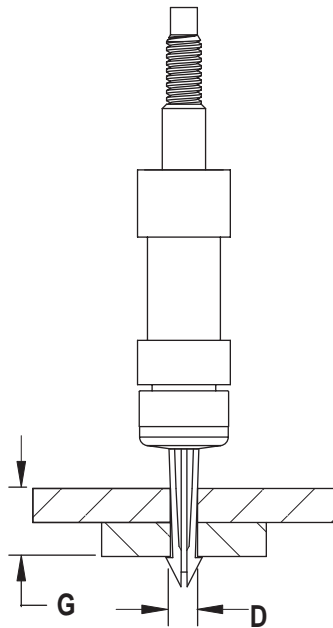
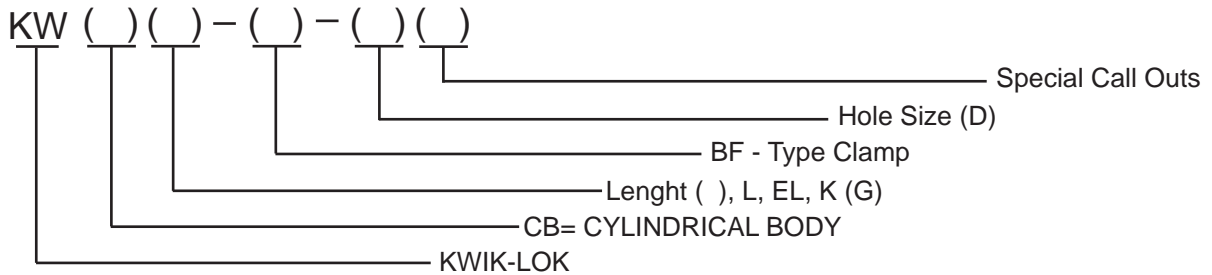




POWER-OPERATED CYLINDRICAL BODY TEMPORARY FASTENERS

ORDERING INFORMATION

HOW TO SELECT PART NUMBER



CYLINDRICAL BODY PART NO.	CROSS REFERENCE EQUIVALENT	COLOR CODE	G (grip)	D (diameter)	DRILL SIZE
KWCB-BF-3/32	CBX-BF-3/32	silver	0- 1/2"	3/32"	#40
KWCB-BF-1/8	CBX-BF-1/8	copper		1/8"	#30
KWCB-BF-5/32	CBX-BF-5/32	black		5/32"	#20
KWCB-BF-3/16	CBX-BF-3/16	brass		3/16"	#10
KWCB-BF-7/32	CBX-BF-7/32	silver		7/32"	7/32"
KWCB-BF-1/4	CBX-BF-1/4	copper		1/4"	1/4"
KWCB-BF-5/16	CBX-BF-5/16	black	0-1"	5/16"	5/16"
KWCBL-BF-3/32	CBXL-BF-3/32	silver		3/32"	#40
KWCBL-BF-1/8	CBXL-BF-1/8	copper		1/8"	#30
KWCBL-BF-5/32	CBXL-BF-5/32	black		5/32"	#20
KWCBL-BF-3/16	CBXL-BF-3/16	brass		3/16"	#10
KWCBL-BF-7/32	CBXL-BF-7/32	silver		7/32"	7/32"
KWCBL-BF-1/4	CBXL-BF-1/4	copper	1/2" - 1 1/2"	1/4"	1/4"
KWCBL-BF-5/16	CBXL-BF-5/16	black		5/16"	5/16"
KWCBEL-BF-3/32	CBXEL-BF-3/32	silver		3/32"	#40
KWCBEL-BF-1/8	CBXEL-BF-1/8	copper		1/8"	#30
KWCBEL-BF-5/32	CBXEL-BF-5/32	black		5/32"	#20
KWCBEL-BF-3/16	CBXEL-BF-3/16	brass		3/16"	#10
KWCBEL-BF-1/4	CBXEL-BF-1/4	copper	1 1/2" - 2 1/2"	1/4"	1/4"
KWCBEL-BF-5/16	CBXEL-BF-5/16	black		5/16"	5/16"
KWCBK-BF-1/8	CBXK-BF-1/8	copper		1/8"	#30
KWCBK-BF-5/32	CBXK-BF-5/32	black		5/32"	#20
KWCBK-BF-3/16	CBXK-BF-3/16	brass		3/16"	#10
KWCBK-BF-1/4	CBXK-BF-1/4	copper		1/4"	1/4"
KWCBK-BF-5/16	CBXK-BF-5/16	black	5/16"	5/16"	

Special Callouts AL= Aluminum Body BO = Black Oxide AC = Aluminum Cap C = Plastic Cap

CYLINDRICAL BODY FASTENER INSTALLATION AND REMOVAL TOOL

KCB2000

A simple to operate; rugged power tool for installation and removal cylindrical power operated fasteners. Made in the U.S.A.



- Heavy duty, yet light weight
- Simple to insert and remove cylindrical body fasteners
- Reversible motor with finger tip control for switching to reverse
- Greater torque in reverse for those difficult removals
- Air pressure 85 - 100 PSI
- Torque 35 in. lbs. max.
- Clamping force up to 360 lbs.

